



ISO 9001 Quality Management System | WBENC-Certified WBE | THE TRAILER EXPERTS - SINCE 1974

Product Sheet

Felling Trailers, Inc. 2021

www.felling.com • 1-800-245-2809

1525 Main Street South

Sauk Centre, MN 56378

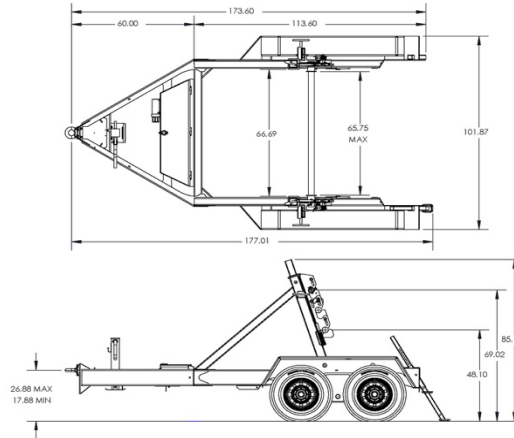
FT-14R	Utility Reel
---------------	---------------------

GVWR LBS: 16,100

GAWR LBS: 14,000

WEIGHT LBS: 2,900

CAPACITY LBS: 13,200



Feature Name	Standard Features	Std. Qty	UOM
Model	FT-14R	1	
Reel Capacity	Capacity for a 65" X 120" Reel, 2.875" shaft	1	Std
Reel Capacity	Reel Diameter at lowest position, 68" Reel	1	Std
Overall Length	Overall Length in Feet	15	Feet
Width	102" OD, 66" ID Approx	1	Std
Brakes	Electric, FSA (Fwd Self Adj) On All Axles	1	Std
Suspension	Walking Beam Greaseable	1	Std
Axles	7K Axle Stubs	2	Std
Tires & Wheels	ST235/80R 16 E, 8 Bolt [16 x 6] Mod	4	Each
Hitch Type	2.5" Adjustable Lunette Eye/Pintle, [C] 42,000 lb Plate Mount (5/8" Bolt)	1	Std
Jack	12K Drop Leg, Side Wind	1	Std
Plug	7 Pole RV	1	Std
Lights	LED Lights (Peterson), Sealed Wiring Harness	1	Std
Trailer Color	Felling Black # CCA945378 (White Felling Decal)	1	Std
Standard	Elec/Hydraulic Pump with 12 V battery in Lockable Enclosure	1	Std
Standard	3/8" Safety Chains, Grade 70	1	Std
Standard	Document Holder	1	Std
GVWR	16,100 lbs	1	Std