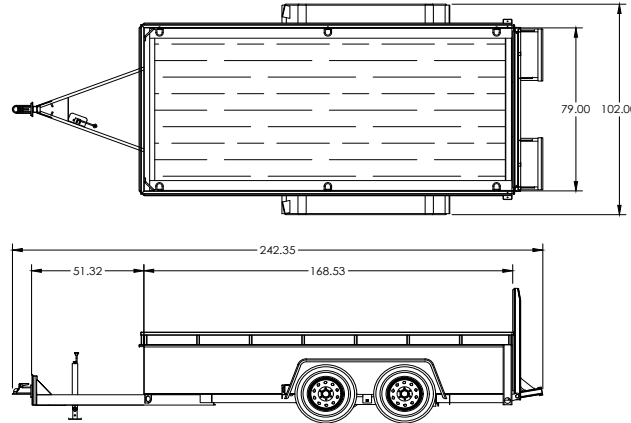


FT-10 OT		Open Top	
GVWR LBS: 9,980	GAWR LBS: 5,080	WEIGHT LBS: 2,350	CAPACITY LBS: 7,630



Feature Name	Standard Features	Std. Qty	UOM
Model	FT-10 OT	1	
Deck Length	Add Deck Length	14	Feet
Deck Type	Pressure Treated Wood	1	Std
Frame Type	Open Top with 24" Sides & 6" Top Tie Rail	1	Std
Ramps; Rear	54" Full Width, Spring Assisted with dog legs (channel style ramp)	1	Std
Appx Deck Height	15" Loaded, 17" Unloaded (Drop Axles)	1	Inches
Width	102" OD, 79" ID	1	Std
Tie Downs	Corner Ties	2	Std
Tie Downs	D-Rings, 5/8" Straight	6	Std
Brakes	Electric, FSA (Fwd Self Adj) On All Axles	1	Std
Axles	6K, Drop	2	Std
Suspension	Spring	1	Std
Tires & Wheels	ST225/75R 15 D, 6 Bolt [15 x 6] Mod	4	Std
Hitch Length	Center of Coupler to Headboard, Appx	4.5	Feet
Hitch Type	2 5/16" Ball Adjustable, [B] 21,000 lb Plate Mount	1	Std
Jack	7K Drop Leg ** Top Wind **	1	Std
Plug	7 Pole RV	1	Std
Lights	LED Lights (Peterson), Sealed Wiring Harness (Sealco)	1	Std
Trailer Color	Felling Black # CCA945378 (White Felling Decal)	1	Std
Stripe Color	White	1	Std
Standard	3/8" Safety Chains, Grade 70	1	Std