



ISO 9001 Quality Management System | WBENC-Certified WBE | THE TRAILER EXPERTS - SINCE 1974

Product Sheet

Felling Trailers, Inc. 2021

www.felling.com • 1-800-245-2809

1525 Main Street South

Sauk Centre, MN 56378

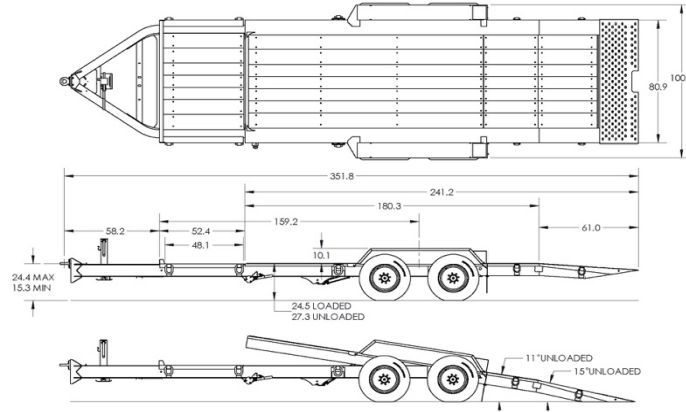
FT-20 IT-I	Drop Deck IT-I Series
-------------------	------------------------------

GVWR LBS: 23,000

GAWR LBS: 20,000

WEIGHT LBS: 5,280

CAPACITY LBS: 17,720



Feature Name	Standard Features	Std. Qty	UOM
Model	FT-20 IT-I	1	
Stationary Deck	Stationary Deck	4	Feet
Stationary Deck Type	White Oak 2" Nom	1	Std
Deck Length	Add Tilt Deck Length	15	Feet
Dovetail	5' Length Standard (Includes 2' Steel Punch Plate Approach)	5	Opt
Deck Type	White Oak 2" Nom	1	Std
Appx Deck Height	28.5" Loaded, 31" Unloaded (Spring)	1	Inches
Width	102" OD, 81" ID	1	Std
Tie Downs	D-Rings, 1" Straight	10	Feet
Brakes	Electric, FSA (Fwd Self Adj) On All Axles	1	Std
Axles	10K Oil Bath (Single Wheel)	2	Std
Suspension	Spring, 42" Spread	1	Std
Tires & Wheels	235/75R 17.5 J, 8 Bolt [17.5 x 6.75] Plate Wheel	4	Each
Hitch Length	Center of Coupler to Headboard, Appx	5	Feet
Hitch Type	2.5" Adjustable Lunette Eye/Pintle, [C] 42,000 lb Plate Mount (5/8" Bolt), Range 19.5" to 28.5"	1	Std
Hitch Height	Approximate Adjustment Hitch Range 19.5" to 28.5"	1	Std
Jack	12K w/ Spring Loaded Drop Leg, Side Wind	1	Std
Plug	7 Pole RV	1	Std
Lights	LED, 4 tail light system, Sealed Wiring Harness (Tail lights located on rear of fenders)	1	Std
Trailer Color	Felling Black # CCA945378 (White Felling Decal)	1	Std
Standard	3/8" Safety Chains, Grade 70	1	Std
Standard	Document Holder	1	Std
Standard	Dual cushion cylinders	2	Std
GVWR	23,000 lbs	1	Std